

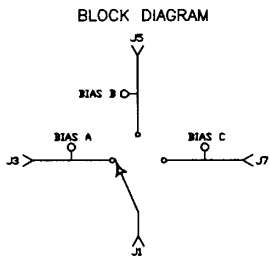
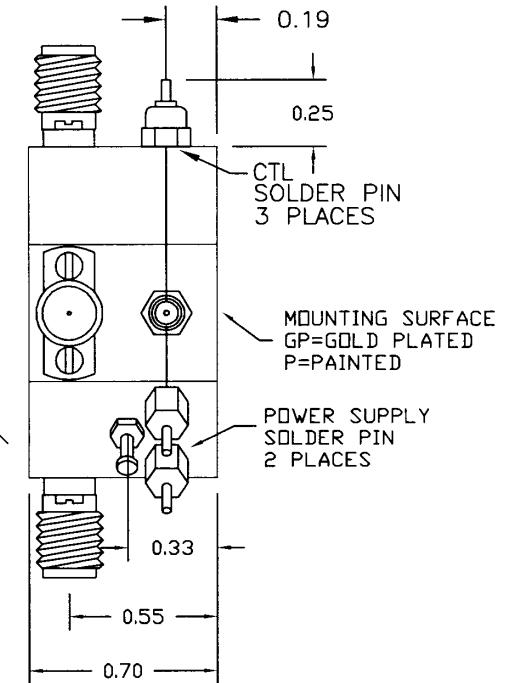
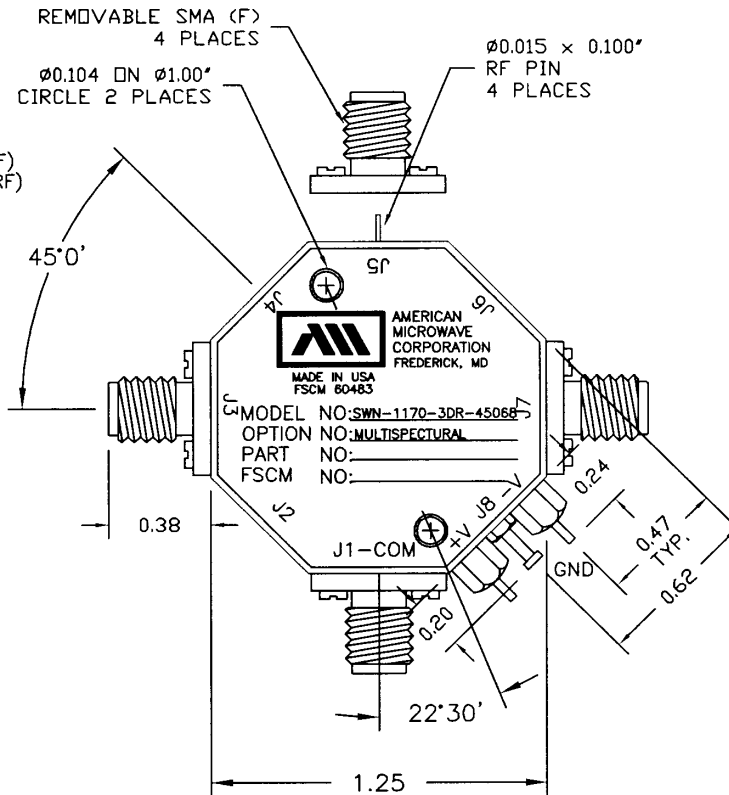
DESCRIPTION:

AMC MODEL SWN-1170-3DR-45068-MULTISPECTRAL IS A SINGLE POLE THREE THROW, REFLECTIVE SWITCH MODULE WITH VERY LOW INSERTION LOSS, LOW ISOLATION AND WITH INTEGRAL TTL DRIVER, CAN HANDLE VERY HIGH POWER OF 100 WATTS, DESIGNED FOR NARROW BAND OPERATIONS.

REVISIONS				
ZONE	REV.	DESCRIPTION	DATE	APPROVED
		- ORIGINAL RELEASE, JOB# 70468E-2	10/27/09	

SPECIFICATIONS:

- FREQUENCY: 0.1 GHz TO 2 GHz
- INSERTION LOSS: 1.5 dB
- ISOLATION: 40 dB MINIMUM
- VSWR: 2.0:1
- SPEED: DELAY ON <1 uSEC MAXIMUM (50% TTL TO 90% RF)
DELAY OFF <1 uSEC MAXIMUM (50% TTL TO 10% RF)
- POWER INPUT: (CW)+20dBm (STANDARD), +10 dBm (HIGH SPEED)
- POWER HANDLING: 100 WATTS CW
- CONTROL: TTL LOGIC
- POWER SUPPLY: +5V @ 150 mA MAXIMUM
-15V @ 70 mA MAXIMUM
- CONNECTORS:
RF: SMA FEMALE
CONTROL: SOLDER PIN



AMERICAN MICROWAVE CORPORATION
FREDERICK, MD
MADE IN USA
FSCM 60483

MODEL NO: SWN-1170-3DR-45068
OPTION NO: MULTISPECTRAL
PART NO:
FSCM NO:

CONFIDENTIAL AND PROPRIETARY

ENVIRONMENTAL RATINGS:

- TEMPERATURE: -55°C TO +85°C (OPERATING)
-65°C TO +125°C (STORAGE)
- HUMIDITY: MIL-STD-202F, METHOD 103B COND. B
- SHOCK: MIL-STD-202F, METHOD 213B COND. B
- VIBRATION: MIL-STD-202F, METHOD 204D COND. B
- ALTITUDE: MIL-STD-202F, METHOD 105C COND. B
- TEMPERATURE CYCLE: MIL-STD-202F, METHOD 107D COND. A

NOTE: THE ABOVE SPECIFICATIONS ARE SUBJECT TO CHANGE OR REVISION

ALL DIMENSIONS ARE IN INCHES
TOLERANCES:
X.XX ±0.020
X.XXX ±0.010

CONTRACT NO.		AMERICAN MICROWAVE CORPORATION FREDERICK, MARYLAND		
APPROVALS	DATE	TITLE		
DRAWN <i>WJC</i>	10/27/09	PRODUCT FEATURE SWN-1170-3DR-45068 -MULTISPECTRAL RADIAL SOLID STATE SWITCH		
CHECKED		SIZE	FSCM NO.	DWG NO.
ISSUED		A	60483	100-6793
		SCALE N/S	SHEET 1 of 3	